

Development Kit V720-W01-1-E



V720-W01-1-E

■ Product Description

OMRON provides RFID system solutions based on comprehensive engineering ability in Label Tags and Readers. In order to facilitate RFID system development and evaluation, OMRON offers the V720-W01-1-E Development Kit.

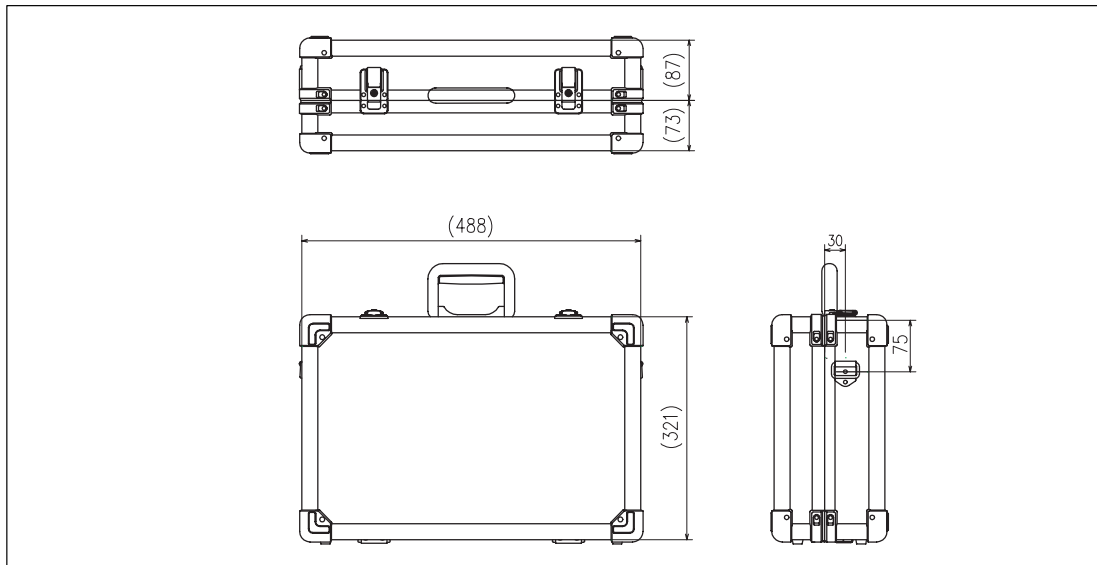
■ Features

- Conforms to the international standard ISO 15693 for no-contact IC cards.
- Applies I•CODE chip technology from Philips Semiconductors.
- Three kinds of Tags are provided in the Kit.
- Conforms to EC Directives.
- Includes easy-to-use demonstration sample programs.

■ Benefits

- Integrated into a case for easy carrying.
- Can be easily connected via RS-232C to a host in an existing system.

Dimensions of the Development Kit



■ Development Kit Contents

No.	Product	Model	QTY
1	Read Write Antenna	V720-H01-E	1
2	ID Controller	V720-CD1D	1
3	Antenna Cable	V700-A40	1
4	Tags (PET resin, printed)	V720-D52P40	100
5	Tags (Transparent PET resin, printed)	V720-D52P30	5
6	Tags (Transparent PET resin, not printed)	V720-D52P30-T	5
7	Operation Manual (Read Write Antenna)	RF507-E1-1	1
8	Operation Manual (ID Controller)	RF508-E1-1	1
9	Screwdriver	_____	1
10	Ferrite Core (TDK)	ZCAT2032-0930	1
11	Power Supply Unit	S82K-03024	1
12	Interface Cable (RS-232C)	_____	1
13	V720-CD1D Demonstration Software UCOM/V Ver. 1.00	_____	1
14	V720-CD1D Demonstration Software Operation Manual	RF509-E1-1	1
15	Case	_____	1
16	Weight	Approx. 5.2 kg	