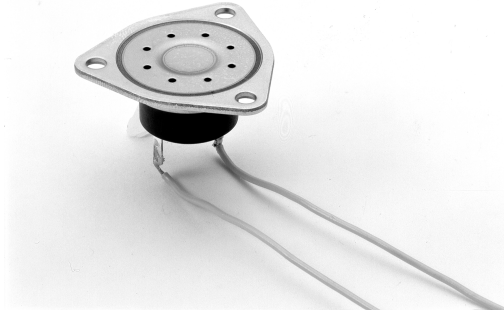


Pressure Switch

D8B-2

Built-in type micro-pressure switch
 Built-in type micro-loading switch



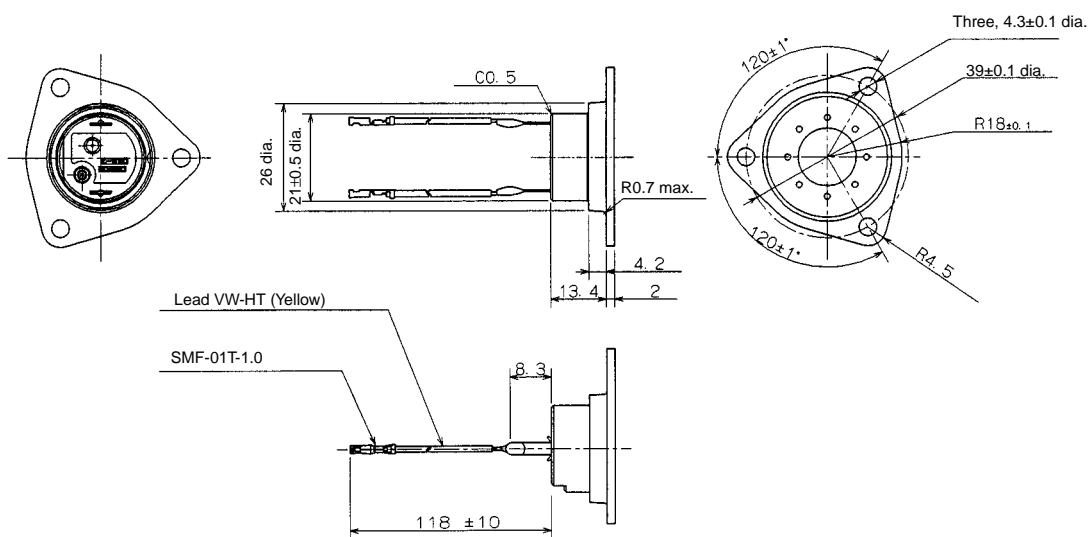
Specifications

■ Ratings /Characteristics

Pressure range	Operating pressure: 0.2 to 0.4 kPa Returning pressure: 0.49 to 0.69 kPa
Contact capacity	5 μ A at 3 VDC to 1 mA at 3 VDC, resistive load
Contact form	SPST-NC
Contact resistance	100 m Ω max. (initial value except for lead wire)
Withstand pressure	19.6 kPa (5 minutes)
Insulation resistance	100 M Ω min. (at 250 VDC)
Operating temperature	-25 to 60°C
Operating humidity	45% to 95%

Dimensions

Note All units are in millimeters unless otherwise indicated.



Precautions

■ General Precautions

Before using the product under conditions which are not described here or applying the product to nuclear control systems, railroad systems, aviation systems, vehicles, combustion systems, medical equipment, amusement machines, safety equipment, and other systems, machines, and equipment that may have a serious influence on lives and property if used improperly, consult your OMRON representative.

Make sure that the ratings and performance characteristics of the product are sufficient for the systems, machines, and equipment, and be sure to provide the systems, machines, and equipment with double safety mechanisms.

ALL DIMENSIONS SHOWN ARE IN MILLIMETERS.

To convert millimeters into inches, multiply by 0.03937. To convert grams into ounces, multiply by 0.03527.

In the interest of product improvement, specifications are subject to change without notice.