

Surface Mounting Tilt Switch Fits Space-Confined Installations

- Detect tilting over a range of 35 to 65 degrees in right-and-left inclination
- Gull wing surface mount terminals
- Wide operating temperature range: -10° to 60°C
- Ideal for PDAs, cell phones and test equipment; digital cameras and video cameras to change aspect ratio automatically; also replaces mercury switches in portable space heaters and game machines such as pinball games



Ordering Information

Operation angle	Return angle	Output rating	Operating voltage	Part number
35° to 65°	60° to 30°	0.5 VDC	2.7 to 3.3 VDC	D6B

Specifications

■ RATINGS

Supply voltage (V_{dd})	-0.1 to 5.0 VDC
Output current max. (I_{out})	±1 mA max.
Operating temperature range	-10° to 60°C with no icing
Storage temperature range	-25° to 70°C
Operating/storage humidity	25% to 85% RH with no icing or condensation

■ ELECTRICAL CHARACTERISTICS

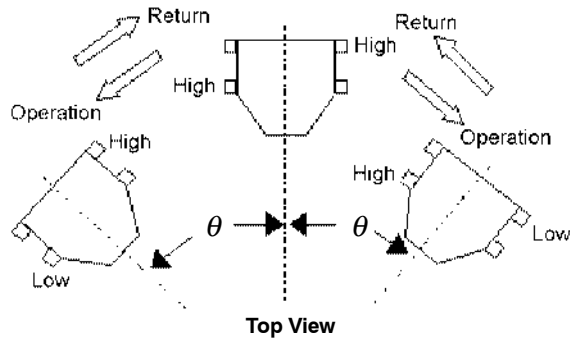
Operating voltage	2.7 to 3.3 VDC
Output high voltage	$V_{dd} - 0.5$ V min.
Output low voltage	0.5 V max.
Current consumption	20 μ A max.; 10 μ A typical ($V_{cc} = 3$)

■ PERFORMANCE

Refer to the drawing on the following page for an operational diagram showing operation and return angles.

Operation angle	35° to 65° (when output goes from High to Low)
Return angle	60° to 30° (when output goes from Low to High)

Operation

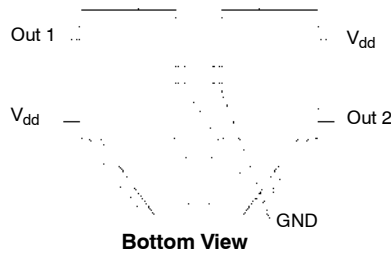


↓
Gravity
direction

- Note: 1. Operation angle: Output goes from High to Low
- 2. Return angle: Output goes from Low to High

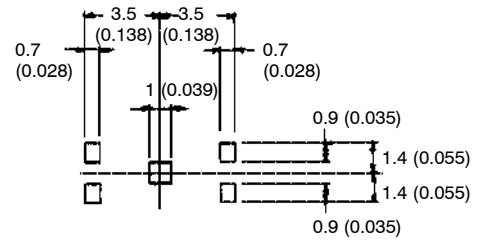
Installation

■ TERMINAL ARRANGEMENT



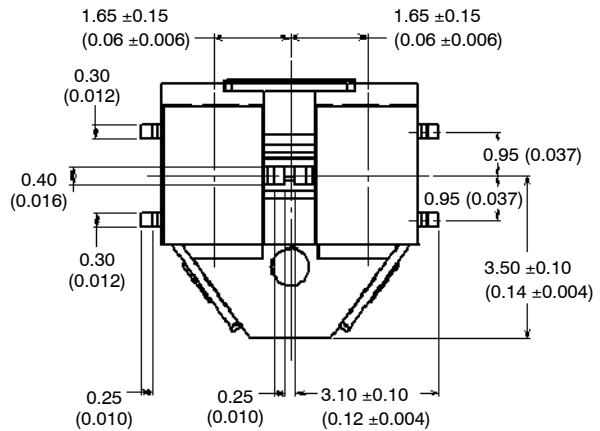
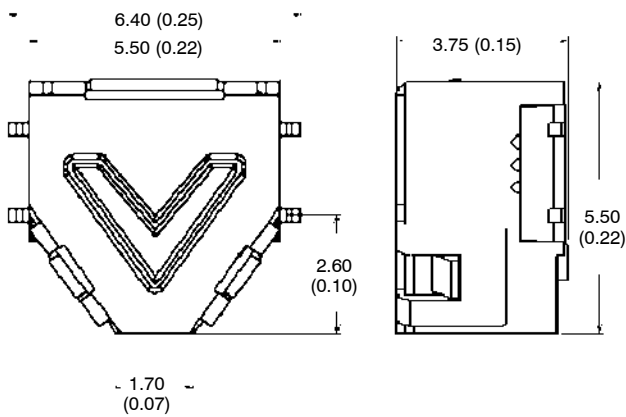
■ SOLDER PATTERN

Unit: mm (inch)



Dimensions

Unit: mm (inch)



NOTE: DIMENSIONS SHOWN ARE IN MILLIMETERS. To convert millimeters to inches divide by 25.4.